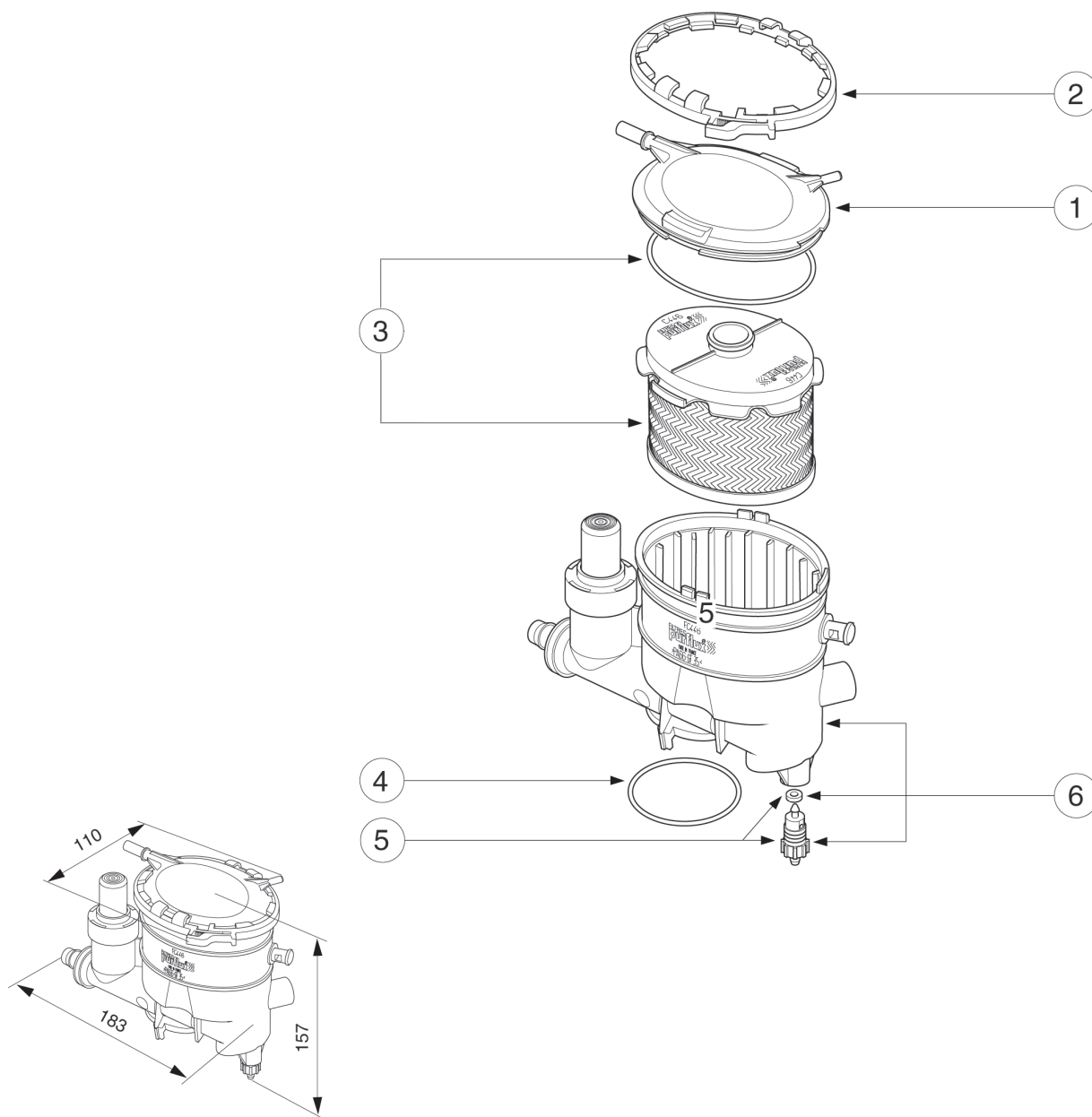


FILTRE COMPLET/COMPLETE FILTER/KOMPLETT FILTER/FILTRO COMPLETO/FILTRO COMPLETO



N°	Désignation
1	Couvercle
2	Collier
3	Cartouche
4	Joint d'embase
5	Kit vis de vidange
6	Cuve

Ref.
P486
P471
C446
P478
P408
P470

N°	Designation
1	Cover
2	Collar
3	Cartridge
4	Seal of base plate
5	Drain valve kit
6	Bowl

FC446