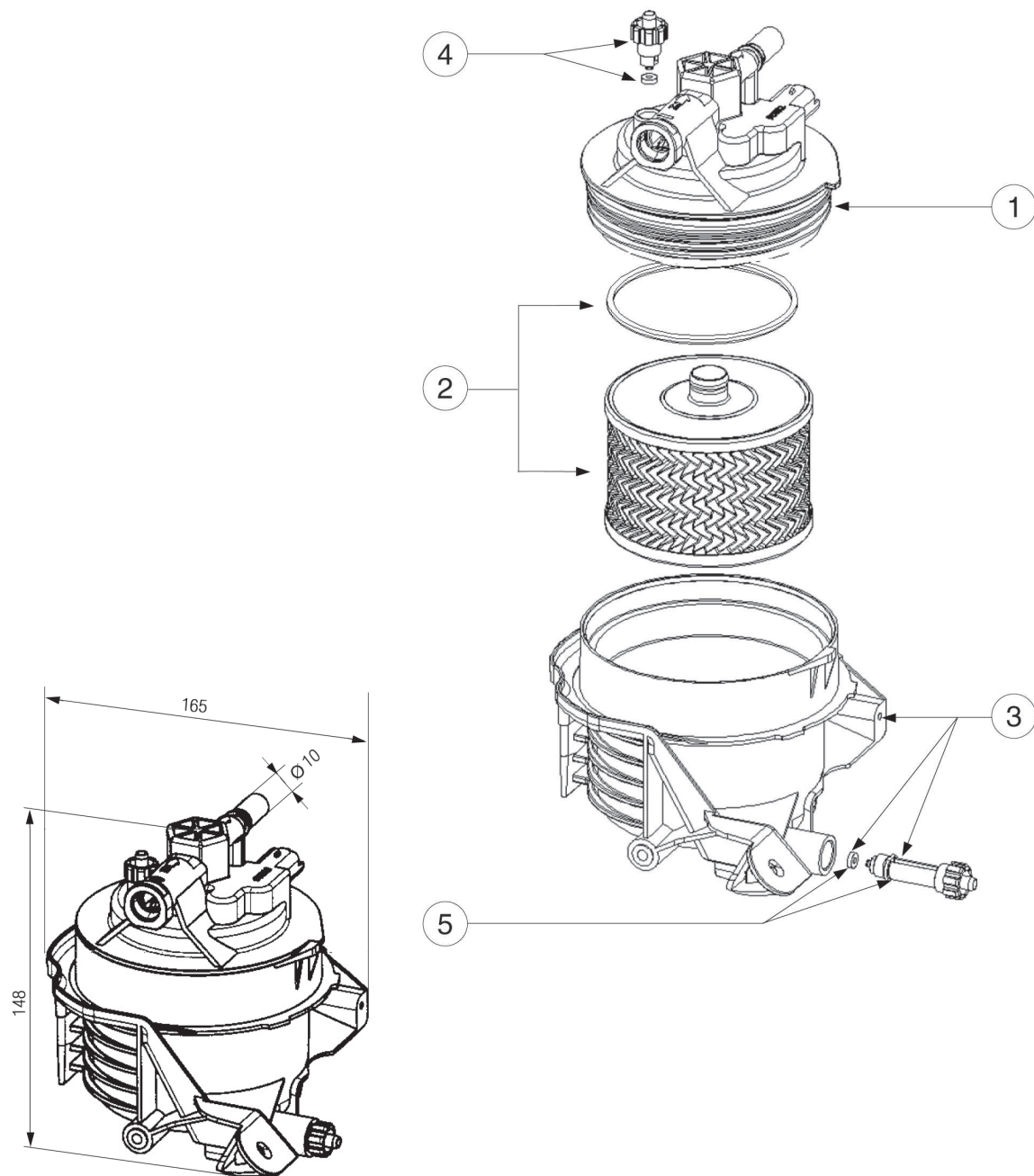


FILTRE COMPLET / COMPLETE FILTER / KOMPLETT FILTER / FILTRO COMPLETO / FILTRO COMPLETO


N°	Désignation
1	Ensemble chapeau
2	Cartouche
3	Ensemble cuve
4	Kit vis de purge
5	Kit vis de vidange

Ref.
PC129
C489
P547
P408
P546

N°	Designation
1	Head casting
2	Cartridge
3	Filter bowl
4	Kit bleed screw
5	Drain valve kit

FC582